

Description:

10/100/1000 Base-T single port (1x1) RJ45 integrated connector module (ICM), designed to support Network Interface Cards (NIC), LAN-on-Motherboard (LOM), and PC applications. Available in Tab-UP (JK0 Series) and Tab-Down (J0L Series) configurations, and with or without LEDs.



**J0L
Series**



**JK0
Series**

Features and Benefits:

- Ⓜ RoHS peak wave solder temperature rating 260°C
- Ⓜ Suitable for CAT 5 and 6 Fast Ethernet cable or better UTP

Electrical Performance Summary:

- Ⓜ Meets IEEE 802.3 specification
- Ⓜ 350µH minimum OCL with 8mA bias current
- Ⓜ High performance for maximum EMI suppression

Electrical Specifications @ 25°C — Operating Temperature 0°C to +70°C

RoHS Part No.	Tab Orientation	LEDs ¹ L/R	Insertion Loss TX/RX (dB)	Return Loss (dB TYP) 100Ω (±15Ω)					Crosstalk (dB TYP)			Common Mode Rejection (dB TYP)		Hipot (MIN) @60Hz 1 MIN
				1-100 MHz	1-10 MHz	30 MHz	60-80 MHz	80-100 MHz	1-10 MHz	32-65 MHz	65-100 MHz	1-125 MHz	125-500 MHz	
JK0-0004NL	UP	G/G	-1.0	-20	-16	-12	-10	-40	-35	-30	-30	-20	1500Vrms	
JK0-0014NL	UP	G/G	-1.0	-20	-16	-12	-10	-40	-35	-30	-30	-20	1500Vrms	
JK0-0016NL	UP	Y-G/G	-1.0	-20	-16	-12	-10	-40	-35	-30	-30	-20	1500Vrms	
JK0-0017NL	UP	NONE	-1.0	-20	-16	-12	-10	-40	-35	-30	-30	-20	1500Vrms	
JK0-0018NL ²	UP	NONE	-1.0	-20	-16	-12	-10	-40	-35	-30	-30	-20	1500Vrms	
JK0-0036NL	UP	Y-G/G	-1.0	-20	-16	-12	-10	-40	-35	-30	-30	-20	1500Vrms	
JK0654219NL	UP	G/G	-1.0	-20	-16	-12	-10	-40	-35	-30	-30	-20	1500Vrms	
J0L-0021NL	DOWN	NONE	-1.0	-20	-16	-12	-10	-40	-35	-30	-30	-20	1500Vrms	

Notes: 1. LEDs Left/Right: G = green; Y = yellow; Y-G = Bicolor. 2. JK0-0018NL is supplied without EMI tabs; refer to Mechanical drawing for explanation of EMI tabs.
3. RoHS - Product does not contain 5 out of the 6 banned substances specified in the RoHS directive. Some internal connections may contain lead in high temperature solder (solder alloys containing more than 85% lead).

RJ45 Durability Testing Rating

Part Number	Mating Force (MAX)	Unmating Force (MAX)	Durability	Plug to Jack Retention (MIN)
JK/J0L Series	5 lbs./2.268 kgs.	5 lbs./2.268 kgs.	750 Insertions	20 lbs./9.072 kgs.

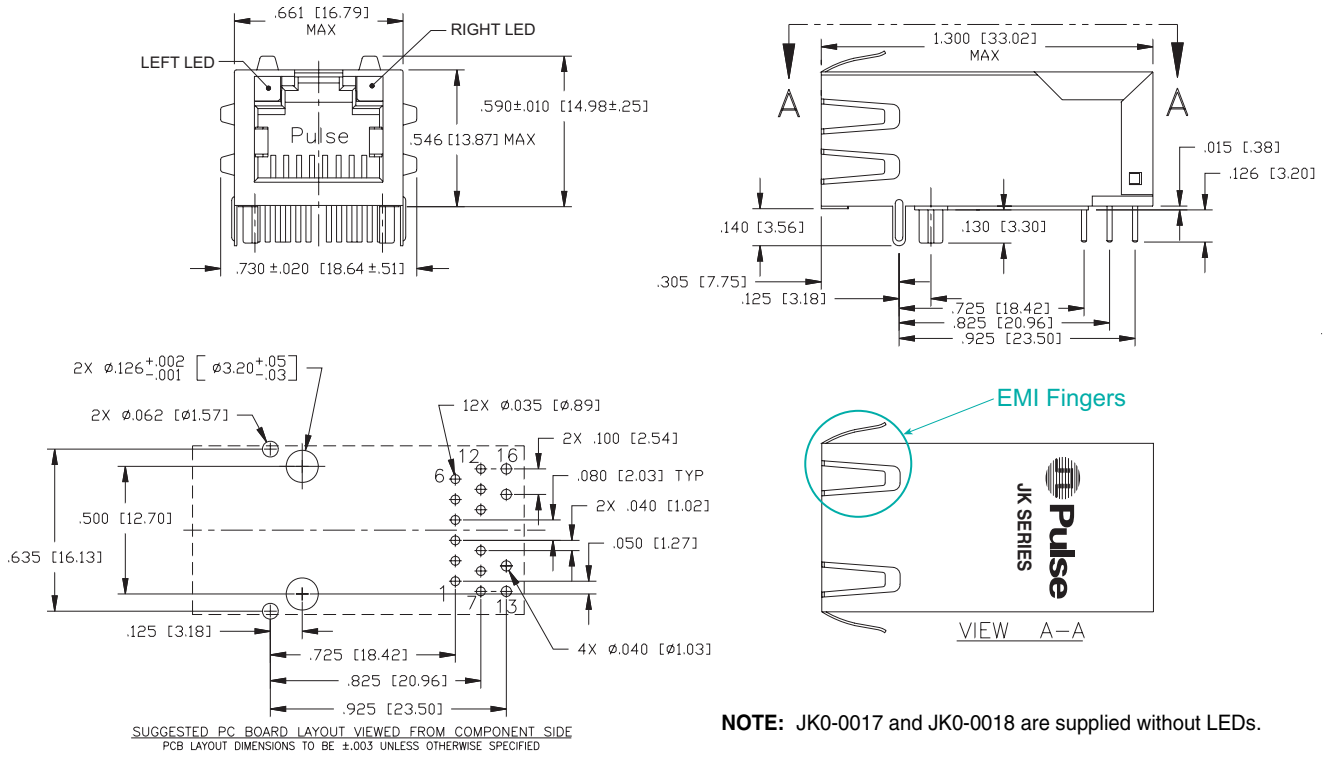
RJ45 Material Specification

Part Number	Shield		Contact			Housing		MSL ² Rating
	Material	Finish	Material	Plating Area	Solder Area ³	Material	Specification	
JK/J0L Series	Brass	20-40µ inches thick nickel over brass	Phosphor Bronze	15µ inches gold over 30-80µ inches nickel	75-300µ inches tin-lead over 75-300µ inches nickel	Thermoplastic	UL 94 V-0	1

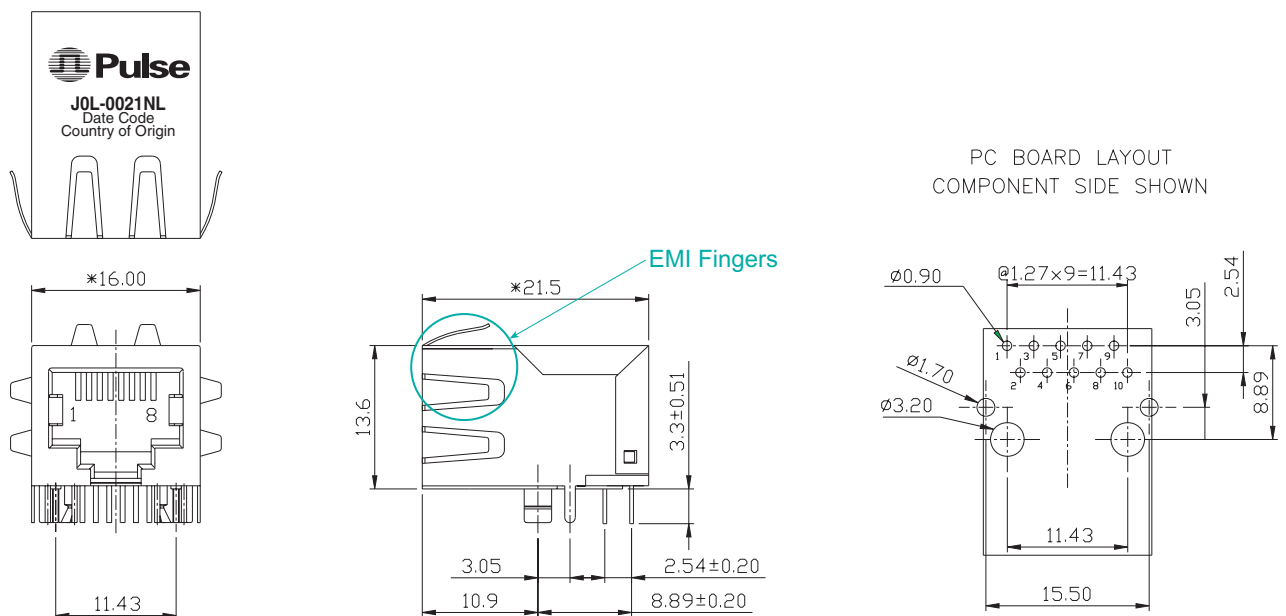
Notes: 1. Connector dimensions comply with FCC dimension requirements. 2. MSL - Moisture Sensitivity Level class limits = 1 to 5 (Highest: 1; Lowest: 5). 3. NL parts are tin matte finish over nickel.

Mechanicals

JK0-0004 / JK0-001X / JK0-0036 / JK0654219



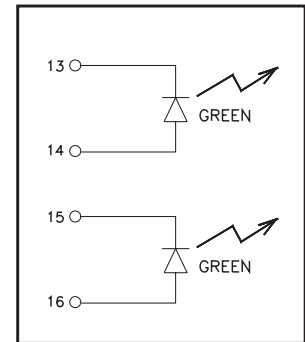
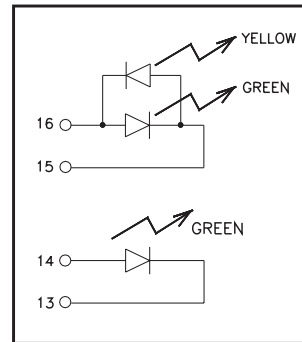
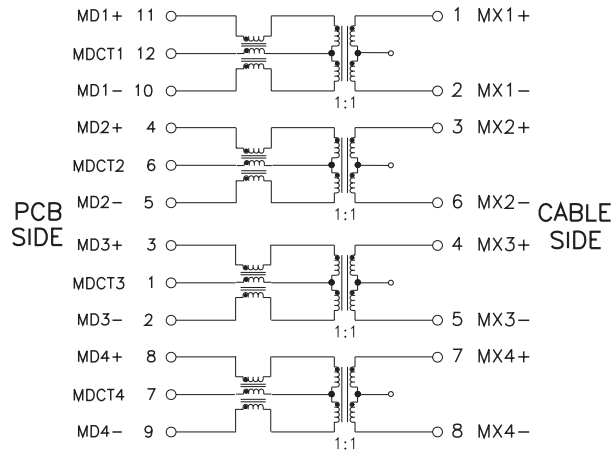
JOL-0021NL





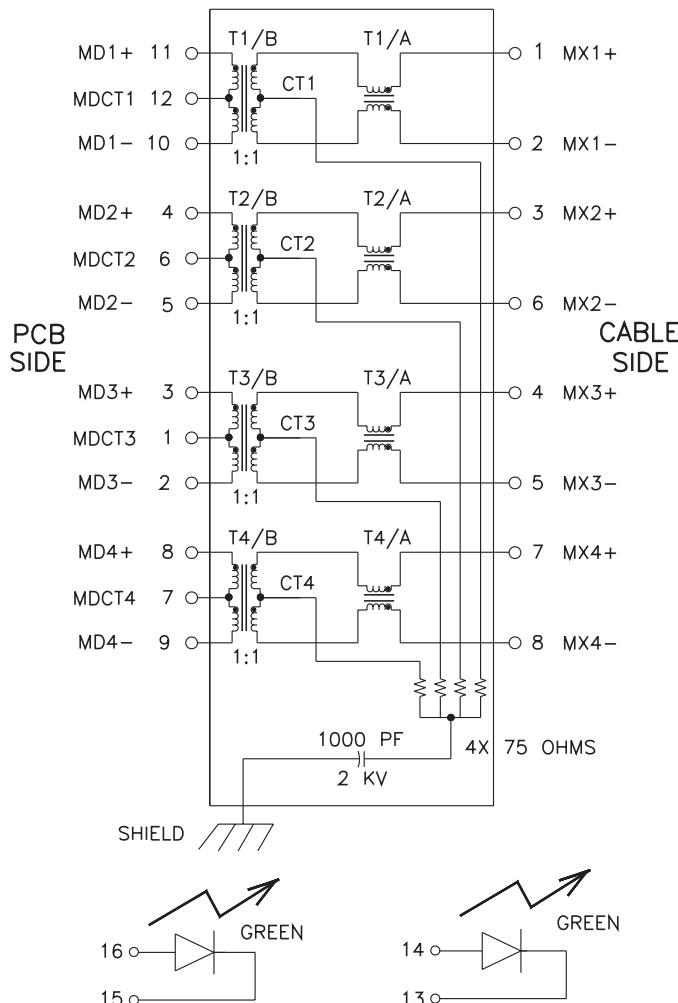
Schematics

JK0-001X

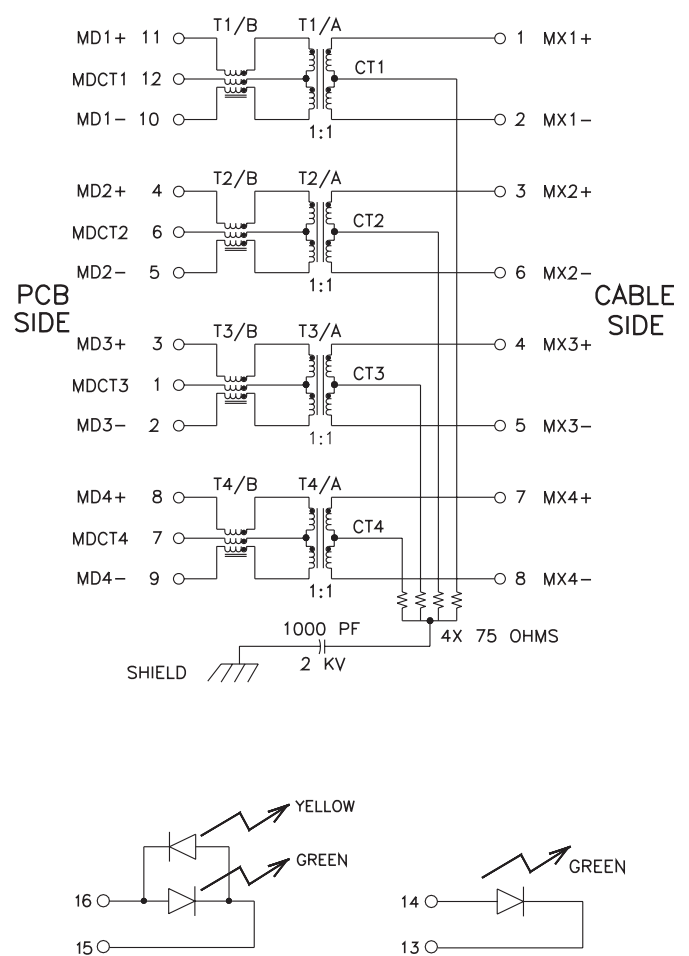


NOTE: JK0-0017 and JK0-0018 are supplied without LEDs.

JK0-0004



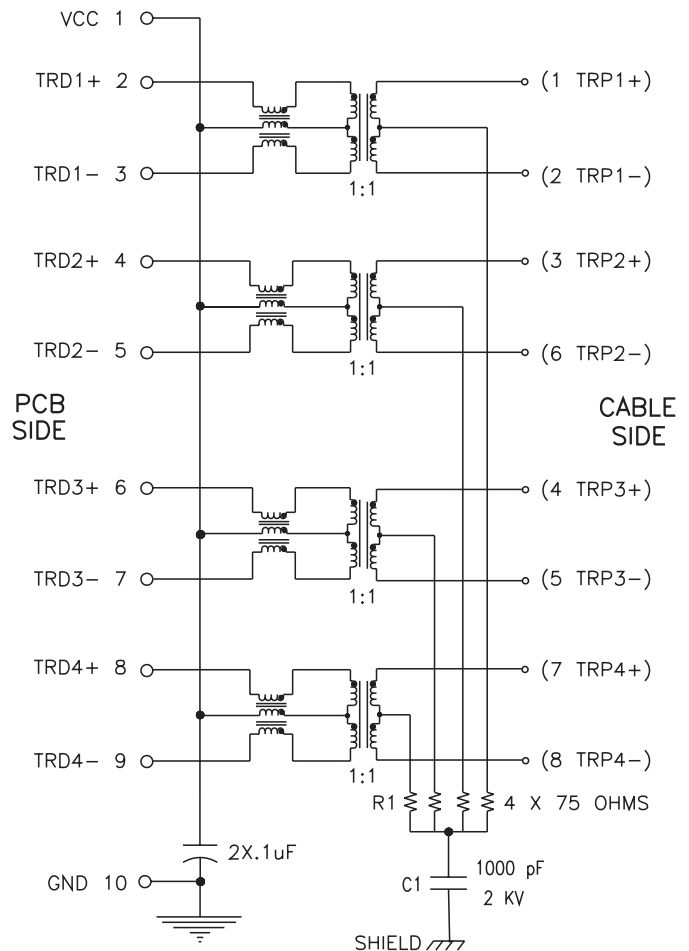
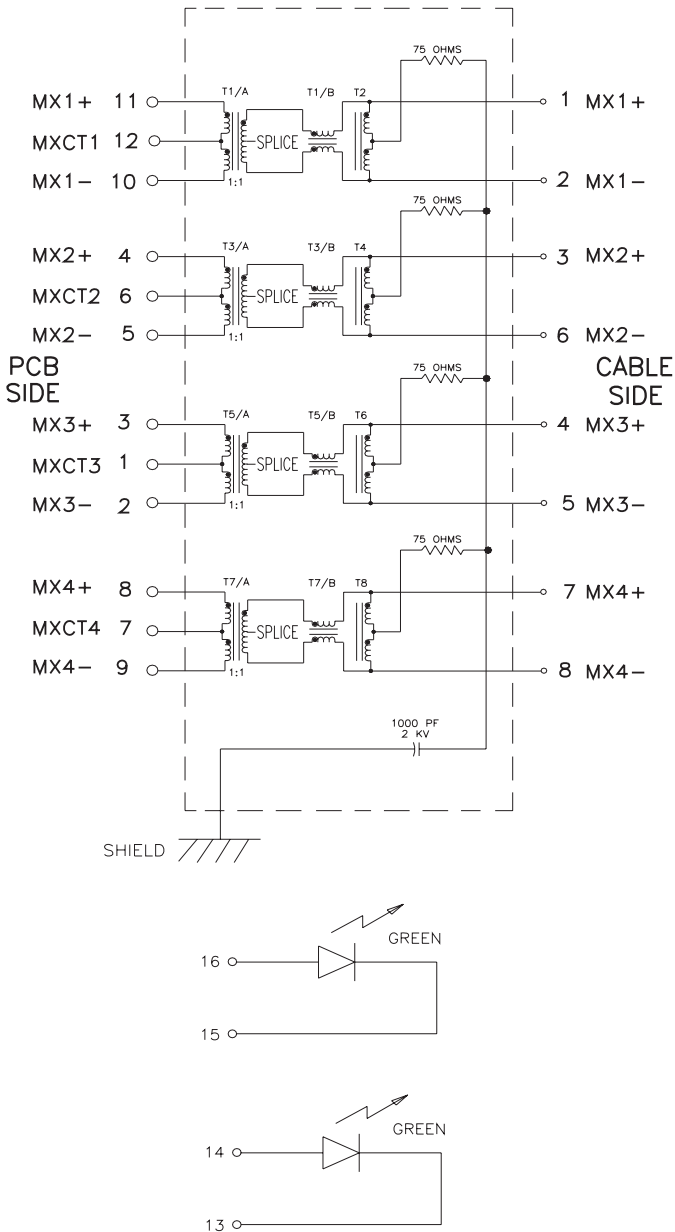
JK0-0036



Schematics

JK0654219

JOL-0021NL



For More Information:

Pulse Worldwide Headquarters
 12220 World Trade Dr.
 San Diego, CA 92128
 U.S.A.
www.pulseeng.com

Pulse Europe
 Einsteinstrasse 1
 D-71083 Herrenberg
 Germany

Pulse China Headquarters
 B402, Shenzhen
 Tech-Innovation International
 Tenth Kejian Rd.
 High-Tech Industrial Park
 Nanshan District, Shenzhen
 China
 Tel: 86 755 33966678
 Fax: 86 755 33966700

Pulse North China
 Room 1503
 XinYin Building
 No. 888 YiShan Rd.
 Shanghai 200233
 China
 Tel: 86 21 54643211/2
 Fax: 86 21 54643210

Pulse South Asia
 150 Kampong Ampat
 #07-01/02
 KA Centre
 Singapore 368324
 Tel: 65 6287 8998
 Fax: 65 6280 0080

Pulse North Asia
 No. 26
 Kao Ching Rd.
 Yang Mei Chen
 Tao Yuan Hsien
 Taiwan, R. O. C.
 Tel: 886 3 4641811
 Fax: 886 3 4641911

Tel: 858 674 8100
 Fax: 858 674 8262

Tel: 49 7032 7806 0
 Fax: 49 7032 7806 12

Performance warranty of products offered on this data sheet is limited to the parameters specified. Data is subject to change without notice. Other brand and product names mentioned herein may be trademarks or registered trademarks of their respective owners. © Copyright, 2007. Pulse Engineering, Inc. All rights reserved.